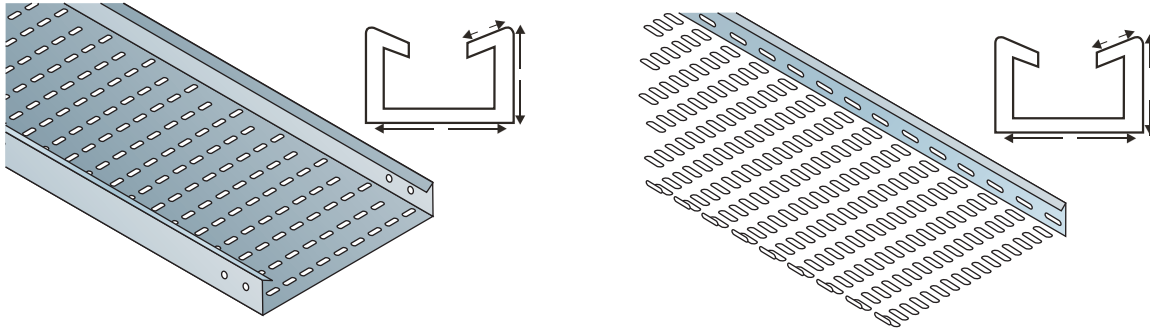


HEAVY DUTY INWARD RETURN FLANGE CABLE TRAYS



STRAIGHT LENGTH & FITTINGS(mm)		
Range / Width (W)	Thickness (T)	Height (H)
50 - 150	1.0	50/ 75 /100
225 - 300	1.2	50/ 75 /100
450 - 600	1.5	50/ 75 /100
750 - 900	2.0	50/ 75 /100

STANDARD FINISHES

- HDG** Hot Dip Galvanized to BSEN ISO 1461:1999 (Formerly BS 729).
- PG** Pre Galvanized to BSEN 10142 & 10143.
- PC** Powder Coating to suit client requirements.
- SS** Stainless Steel finish to required grades.
- Al** Aluminum finish.

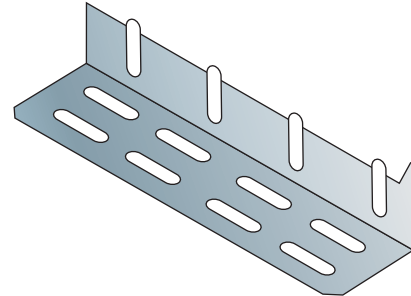
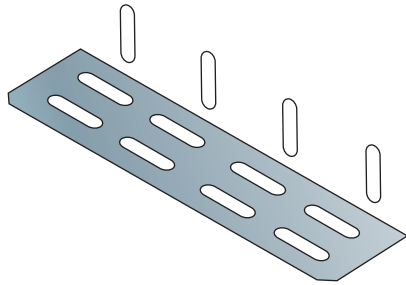
Heavy Duty Return Flange Perforated Cable Trays are made in standard length of 3mtrs. They can be produced different lengths upon request.

Heavy Duty Return Flange Perforated Cable Tray fittings are made to a standard radius of 300 mm. They can be produced in 450 mm, 600 mm & 900 mm as required.

ORDER PATTERN (mm)					
FLANGE	ITEM	WIDTH	FINISH	TYPE	THICKNESS
HDRF	CT	50	FINISH	1 / 2	THK
HDRF	CT	100	FINISH	1 / 2	THK
HDRF	CT	150	FINISH	1 / 2	THK
HDRF	CT	225	FINISH	1 / 2	THK
HDRF	CT	300	FINISH	1 / 2	THK
HDRF	CT	450	FINISH	1 / 2	THK
HDRF	CT	600	FINISH	1 / 2	THK
HDRF	CT	750	FINISH	1 / 2	THK
HDRF	CT	900	FINISH	1 / 2	THK

HEAVY DUTY INWARD RETURN FLANGE CABLE TRAYS

CONNECTOR

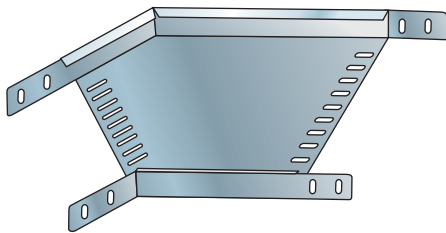


RETURN FLANGE COUPLER

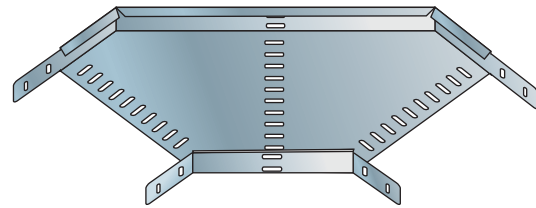
STRAIGHT COUPLER				
ORDER PATTERN				(mm)
TYPE	ITEM	WIDTH	FINISH	THK
HDRF	SC	50-300	FINISH	1.5
HDRF	SC	450-900	FINISH	2.0

RETURN FLANGE COUPLER				
ORDER PATTERN				(mm)
TYPE	ITEM	WIDTH	FINISH	THK
HDRF	RFC	50-300	FINISH	1.5
HDRF	RFC	450-900	FINISH	2.0

ELBOW HORIZONTAL



ELBOW 45°



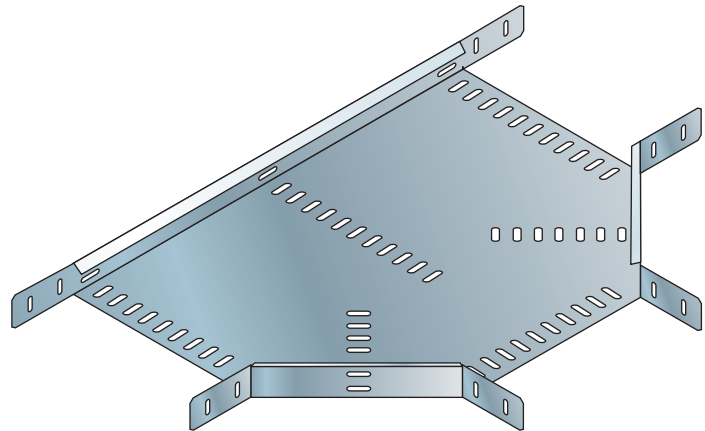
ELBOW 90°

ORDER PATTERN (mm)				
TYPE	ITEM	WIDTH	FINISH	THK
HDRF	EH 4/9	50	FINISH	THK
HDRF	EH 4/9	100	FINISH	THK
HDRF	EH 4/9	150	FINISH	THK
HDRF	EH 4/9	225	FINISH	THK
HDRF	EH 4/9	300	FINISH	THK
HDRF	EH 4/9	450	FINISH	THK
HDRF	EH 4/9	600	FINISH	THK
HDRF	EH 4/9	750	FINISH	THK
HDRF	EH 4/9	900	FINISH	THK

HEAVY DUTY INWARD RETURN FLANGE CABLE TRAYS

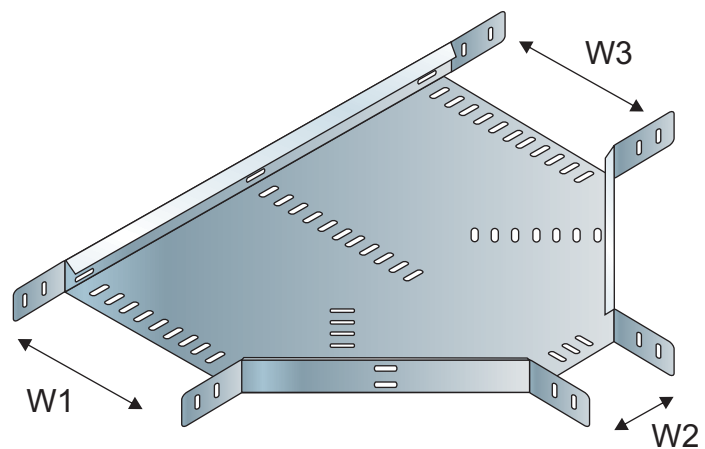
TEE HORIZONTAL

ORDER PATTERN (mm)				
TYPE	ITEM	WIDTH	FINISH	THK
HDRF	TH	50	FINISH	THK
HDRF	TH	100	FINISH	THK
HDRF	TH	150	FINISH	THK
HDRF	TH	225	FINISH	THK
HDRF	TH	300	FINISH	THK
HDRF	TH	450	FINISH	THK
HDRF	TH	600	FINISH	THK
HDRF	TH	750	FINISH	THK
HDRF	TH	900	FINISH	THK



UNEQUAL TEE HORIZONTAL

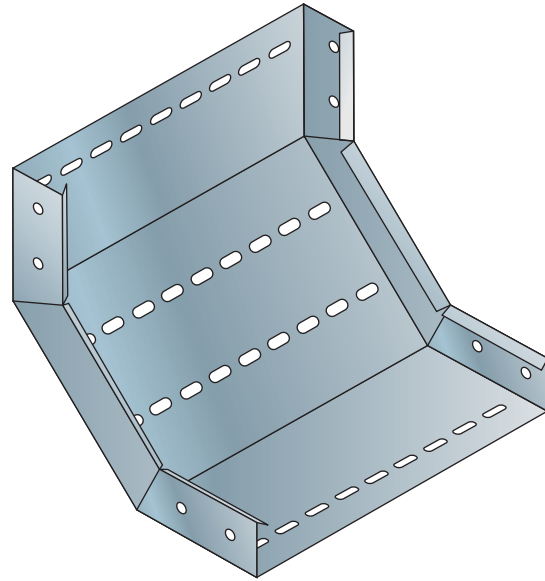
ORDER PATTERN (mm)				
TYPE	ITEM	WIDTH	FINISH	THK
HDRF	UTH	W1,W2,W3	FINISH	THK



HEAVY DUTY INWARD RETURN FLANGE CABLE TRAYS

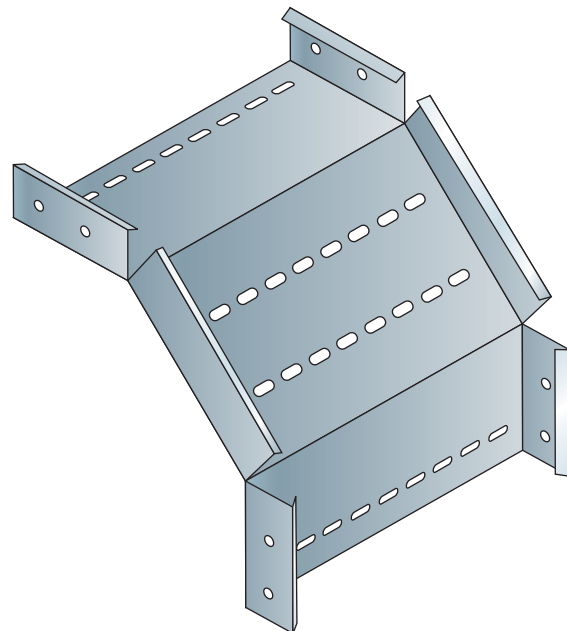
INTERNAL RISER (INSIDE)

ORDER PATTERN (mm)				
TYPE	ITEM	WIDTH	FINISH	THK
HDRF	IR	50	FINISH	THK
HDRF	IR	100	FINISH	THK
HDRF	IR	150	FINISH	THK
HDRF	IR	225	FINISH	THK
HDRF	IR	300	FINISH	THK
HDRF	IR	450	FINISH	THK
HDRF	IR	600	FINISH	THK
HDRF	IR	750	FINISH	THK
HDRF	IR	900	FINISH	THK



EXTERNAL RISER (OUTSIDE)

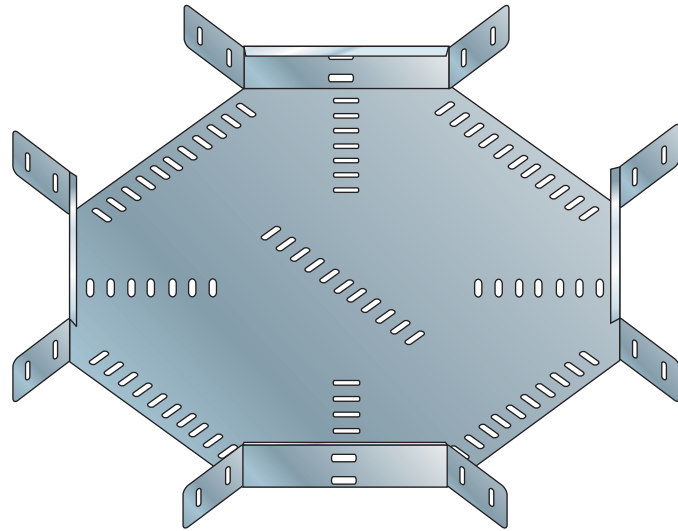
ORDER PATTERN (mm)				
TYPE	ITEM	WIDTH	FINISH	THK
HDRF	ER	50	FINISH	THK
HDRF	ER	100	FINISH	THK
HDRF	ER	150	FINISH	THK
HDRF	ER	225	FINISH	THK
HDRF	ER	300	FINISH	THK
HDRF	ER	450	FINISH	THK
HDRF	ER	600	FINISH	THK
HDRF	ER	750	FINISH	THK
HDRF	ER	900	FINISH	THK



HEAVY DUTY INWARD RETURN FLANGE CABLE TRAYS

CROSS HORIZONTAL

ORDER PATTERN (mm)				
TYPE	ITEM	WIDTH	FINISH	THK
HDRF	CH	50	FINISH	THK
HDRF	CH	100	FINISH	THK
HDRF	CH	150	FINISH	THK
HDRF	CH	225	FINISH	THK
HDRF	CH	300	FINISH	THK
HDRF	CH	450	FINISH	THK
HDRF	CH	600	FINISH	THK
HDRF	CH	750	FINISH	THK
HDRF	CH	900	FINISH	THK



UNEQUAL CROSS HORIZONTAL

ORDER PATTERN (mm)				
TYPE	ITEM	WIDTH	FINISH	THK
HDRF	UCH	W1,W2,W3,W4	FINISH	THK

